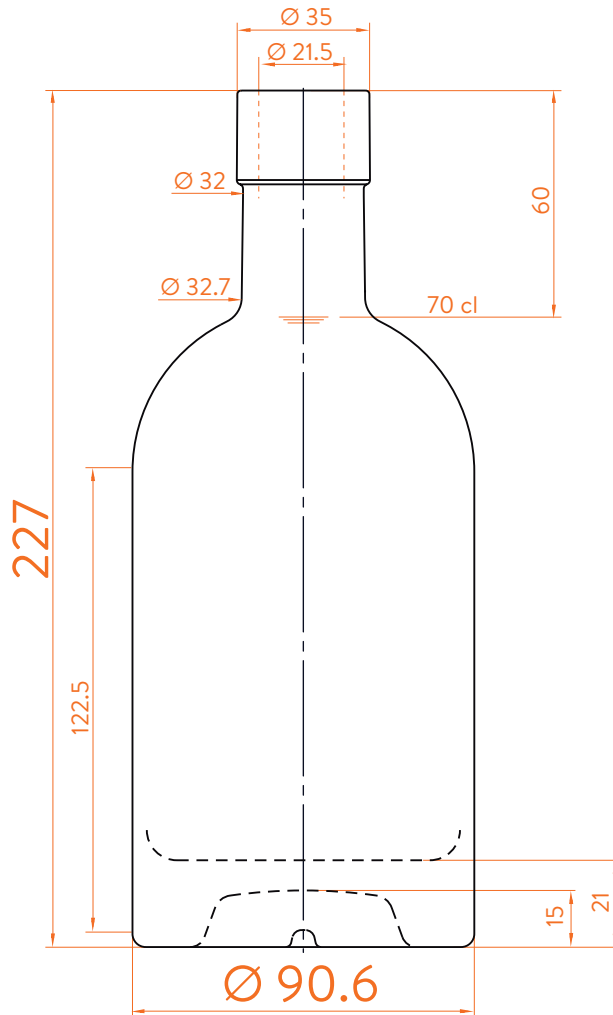


# DA ECO DOME®

**estal**

www.estal.com  
+34 972 821 676



**Modelo registrado/**  
Registered model/  
Modèle enregistré



- EXTRA FLINT
- DARK WILD GLASS
- FLINT WILD GLASS



## DATOS TÉCNICOS TECHNICAL DATA DONNÉES TECHNIQUES

<b>Peso / Weight / Poids</b>	750 gr
<b>Altura total / Total height / Hauteur totale</b>	227 mm
<b>Diámetro del cuerpo / Body diameter / Diamètre du corps</b>	90,6 mm
<b>Ø interno boca / Ø inner mouth / Ø intérieur bouche</b>	21,5 mm
<b>Capacidad a verter / Brimfull / Capacité Ras-Bord</b>	725 ml

## 70 cl

At first the DA ECO DOME range is proposed in 70 and 75 cl.  
Following business opportunities, other sizes - from miniature 5 cl to big sizes 300 cl will be added to the range.

The elements detailed in this document are not contractual. They are only indicative.